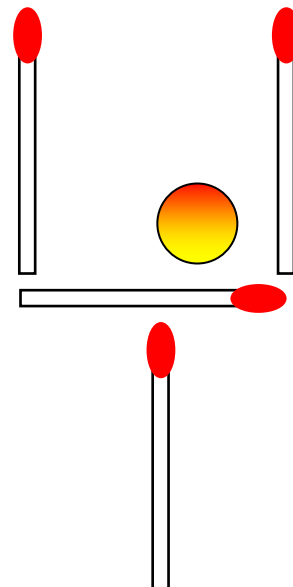


Matchstick puzzle 1



1. The cherry in the glass

4 matchsticks can be placed as shown to make a wine glass. A round cherry has been put inside the glass.

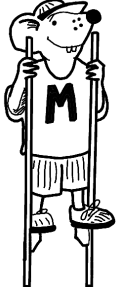


Can you, by moving 2 matchsticks only and not touching the cherry, re-make the glass with the cherry outside?

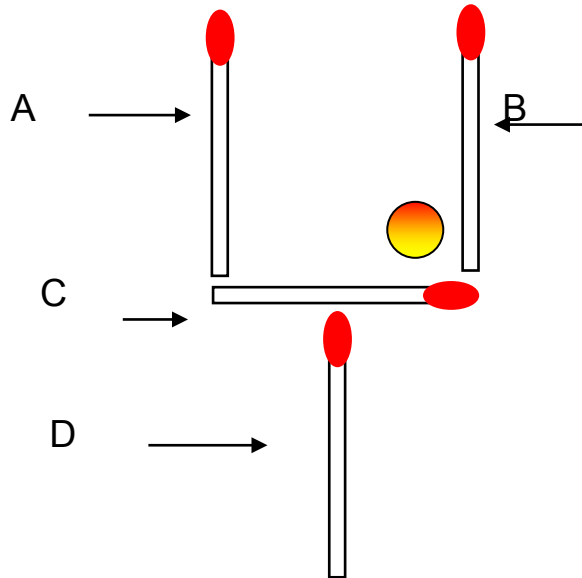


Anyone seen my cherry?

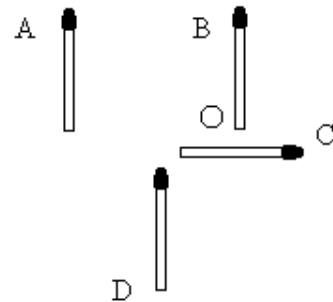
Matchstick puzzle 1 - answer



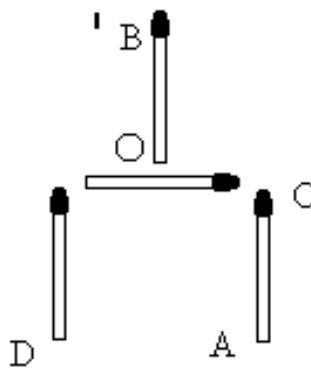
1. The cherry in the glass



First of all slide matchstick C across to make a shape like this:



Then move matchstick A across and down as shown.



Well, that was a lot easier than I thought!

